

CABLIN[®]-SS

0.4mm Pitch Right Angle Stacking Type



- Super Slim Micro Coax Connector going through small hinge hole after cabling
- Connector Width : 3.0mm, Mating Height : 1.85mm (MAX.)
- W-Point Contact with High mating reliability
- Soldering connection

【Number of Position】

10p, 14p, 20p, 30p,
32p, 35p, 40p, 50p

【Applicable Cable Size】

| | |
|------------|-----------------------------|
| Micro Coax | AWG #42 , AWG #40 , AWG #36 |
| DISCRETE | AWG #36 , AWG #34 |

【Ordering Code】

PLUG Connector Set (for Cable)

Parts Ordering (HOUSING)

20373- * ** T- 06
① ② ③

Parts Ordering (METAL COVER)

2182-0 ** - 03
②

RECEPTACLE Connector Set
(for PC Board)

20374- * ** E- 3 *
① ② ③ ④

| | | | |
|---|----------------|---|-----------------------|
| ① | Red Phosphorus | R 0 | Comform Noncomform |
| ② | POS. | 10 :10pos. 14 :14pos. 20 :20pos. 30 :30pos. 32 :32pos. 35 :35pos. 40 :40pos. 50 :50pos. | |
| ③ | Packaging | T | Tray |

| | | | |
|---|----------------|---|-----------------------|
| ① | Red Phosphorus | R 0 | Comform Noncomform |
| ② | POS. | 10 :10pos. 14 :14pos. 20 :20pos. 30 :30pos. 32 :32pos. 35 :35pos. 40 :40pos. 50 :50pos. | |
| ③ | Packaging | E | Emboss Tape |
| ④ | Vacuum Clip | 0 | Without |
| | | 1 | With |

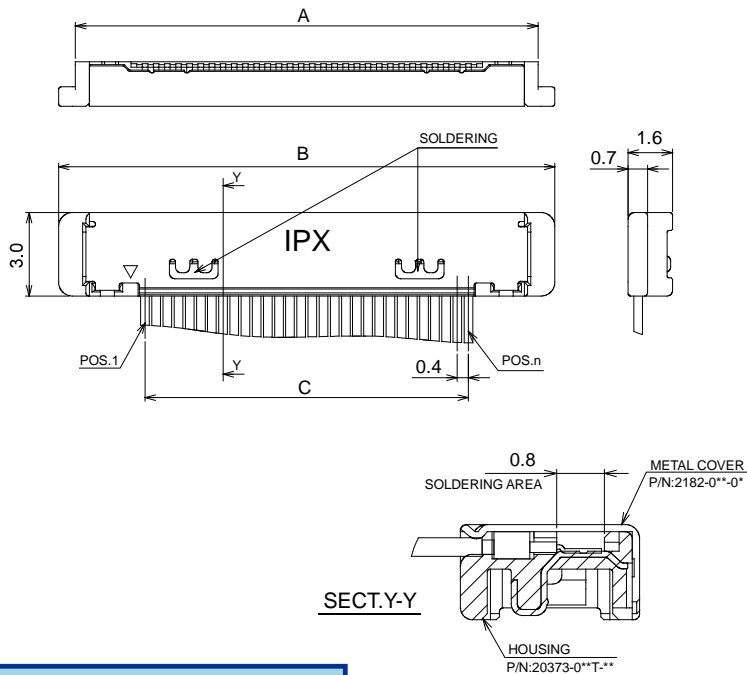
Note : Please inquire for available pin counts.
The P/N is limited pin count only.

【Recommended P/N】

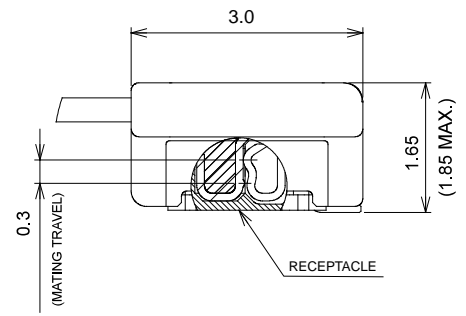
| POS. | HOUSING | Metal Cover | PLUG Connector Set | RECEPTACLE |
|------|---------------|-------------|--------------------|---------------|
| 10 | 20373-R10T-06 | 2182-010-03 | 20380-R10T-06 | 20374-R10E-31 |
| 14 | 20373-R14T-06 | 2182-014-03 | 20380-R14T-06 | 20374-R14E-31 |
| 20 | 20373-R20T-06 | 2182-020-03 | 20380-R20T-06 | 20374-R20E-31 |
| 30 | 20373-R30T-06 | 2182-030-03 | 20380-R30T-06 | 20374-R30E-31 |
| 32 | 20373-R32T-06 | 2182-032-03 | 20380-R32T-06 | 20374-R32E-31 |
| 35 | 20373-R35T-06 | 2182-035-03 | 20380-R35T-06 | 20374-R35E-31 |
| 40 | 20373-R40T-06 | 2182-040-03 | 20380-R40T-06 | 20374-R40E-31 |
| 50 | 20373-R50T-06 | 2182-050-03 | 20380-R50T-06 | 20374-R50E-31 |

PLUG

Set P/N: 20380-***T-**



| POS. | A | B | C |
|------|------|------|------|
| 10p | 8.6 | 9.8 | 3.6 |
| 14p | 10.2 | 11.4 | 5.2 |
| 20p | 12.6 | 13.8 | 7.6 |
| 30p | 16.6 | 17.8 | 11.6 |
| 32p | 17.4 | 18.6 | 12.4 |
| 35p | 18.6 | 19.8 | 13.6 |
| 40p | 20.6 | 21.8 | 15.6 |
| 50p | 24.6 | 25.8 | 19.6 |



MATED VIEW

RECEPTACLE

| POS. | PART NO. | A | B | C | D | E |
|------|---------------|------|------|------|------|-----|
| 10p | 20374-010E-*1 | 3.6 | 7.6 | 9.6 | 7.2 | 5.5 |
| 14p | 20374-014E-*1 | 5.2 | 9.2 | 11.2 | 8.8 | 5.5 |
| 20p | 20374-020E-*1 | 7.6 | 11.6 | 13.6 | 11.2 | 8.0 |
| 30p | 20374-030E-*1 | 11.6 | 15.6 | 17.6 | 15.2 | 8.0 |
| 32p | 20374-032E-*1 | 12.4 | 16.4 | 18.4 | 16.0 | 8.0 |
| 35p | 20374-035E-*1 | 13.6 | 17.6 | 19.6 | 17.2 | 8.0 |
| 40p | 20374-040E-*1 | 15.6 | 19.6 | 21.6 | 19.2 | 8.0 |
| 50p | 20374-050E-*1 | 19.6 | 23.6 | 25.6 | 23.2 | 8.0 |

